

Pedestrian lowlifter truck 1.6 ton



BT levio

W-series

LWI160

LI-ION



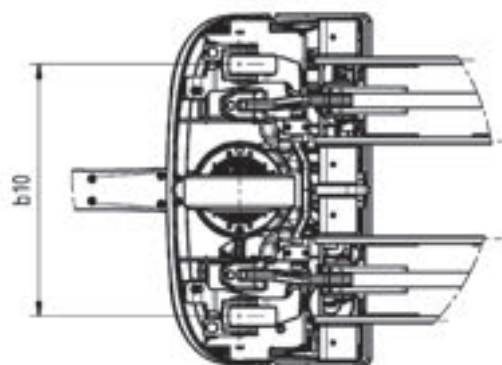
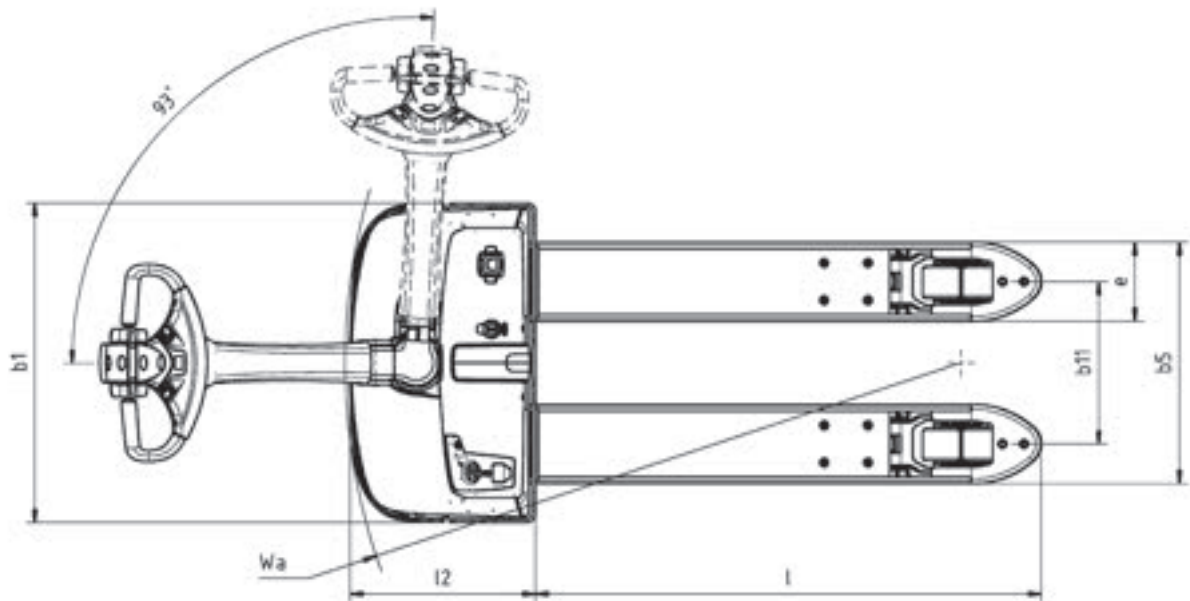
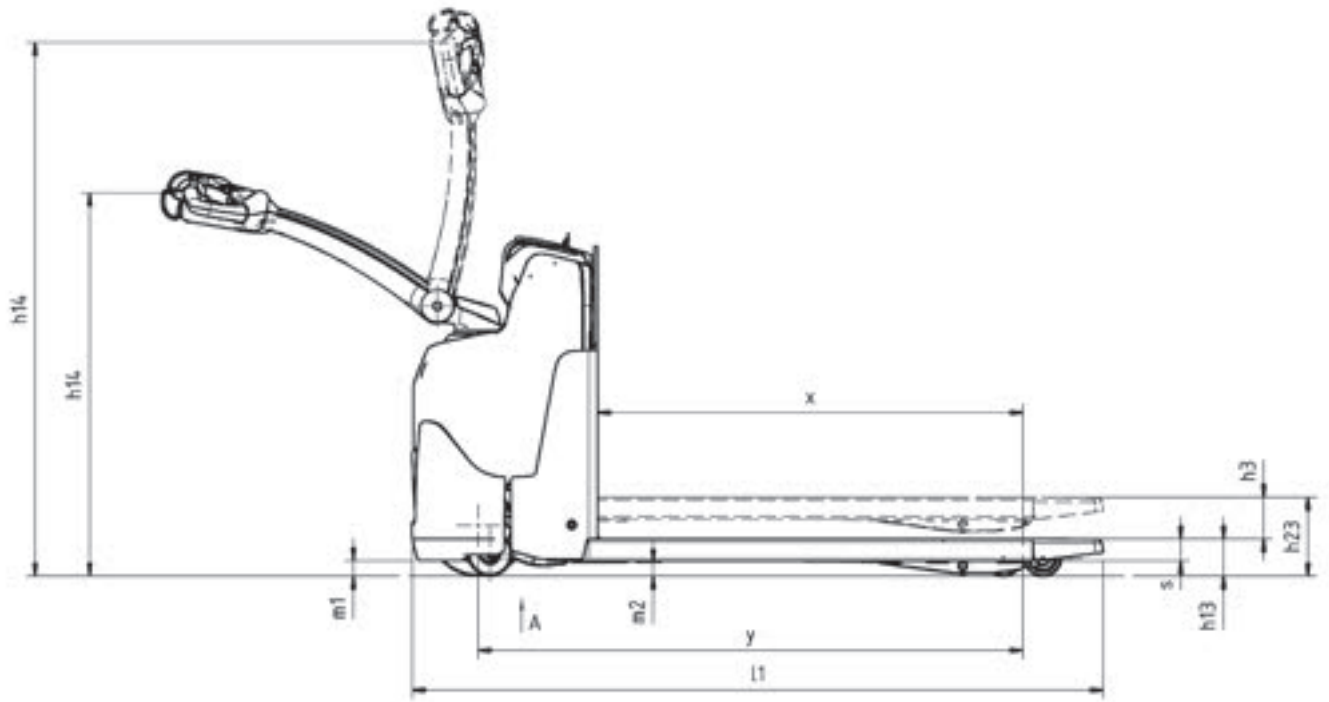
Pedestrian lowlifter truck

| Specification for lowlifter trucks | | | | | LWI160 |
|------------------------------------|--------|--|----------------------------------|--------|--------------------------|
| Identification | 1.1 | Manufacturer | | | Toyota |
| | 1.2 | Model | | | LWI160 |
| | 1.3 | Drive | | | Electric |
| | 1.4 | Operator type | | | Pedestrian |
| | 1.5 | Load capacity/rated load | Q | kg | 1600 |
| | 1.6 | Load center | c | mm | 600 |
| | 1.8 | Load distance (forks raised/lowered) | x | mm | 908/970 |
| | 1.9 | Wheelbase (forks raised/lowered) | y | mm | 1178/1240 |
| | Weight | 2.1 | Service weight including battery | | kg |
| 2.2 | | Axle load, with load, drive/castor/fork wheel | | kg | 610/61/1203 |
| 2.3 | | Axle load, without load, drive/castor/fork wheel | | kg | 172/48/54 |
| Wheels | 3.1 | Drive/castor/fork wheel | | | Prime/Polyurethane/Prime |
| | 3.2 | Wheel size, front | | mm | Ø230x70 |
| | 3.3 | Wheel size, rear | | mm | Ø85x97 |
| | 3.4 | Additional wheels (dimensions) | | mm | Ø100x40 |
| | 3.5 | Wheels, number front/rear (x = driven wheels) | | | 1x + 2 / 2 or 4 |
| | 3.6 | Track width, front | b ₁₀ | mm | 502 |
| | 3.7 | Track width, rear | b ₁₁ | mm | 370 |
| Dimensions | 4.4 | Lift | h ₃ | mm | 125 |
| | | Lift height | h ₂₃ | mm | 215 |
| | 4.9 | Height of tiller in drive position, min./max. | h ₁₄ | mm | 865/1235 |
| | 4.15 | Height, fork lowered | h ₁₃ | mm | 85 |
| | 4.19 | Overall length | l ₁ | mm | 1569 |
| | 4.20 | Length to face of forks | l ₂ | mm | 419 |
| | 4.21 | Overall width | b ₁ | mm | 726 |
| | 4.22 | Fork dimensions | s/e/l | mm | 50/180/1150 |
| | 4.25 | Width over forks | b ₅ | mm | 550 |
| | 4.32 | Ground clearance, center of wheelbase | m ₂ | mm | 33 |
| | 4.34.1 | Aisle width for pallets 1000x1200 crossways | A _{st} | mm | 2145 |
| | 4.34.2 | Aisle width for pallets 800x1200 lengthways | A _{st} | mm | 2033 |
| | 4.35 | Turning radius (forks raised/lowered) | W _a | mm | 1338/1400 |
| Performance data | 5.1 | Travel speed, with/without load | | km/h | 6/6 |
| | 5.2 | Lift speed, with/without load | | m/s | 0,047/0,056 |
| | 5.3 | Lowering speed, with/without load | | m/s | 0,012/0,04 |
| | 5.8 | Max. gradeability, with/without load | | % | 10/18 |
| | 5.9 | Acceleration time without load (10 m) | | s | 6,3 |
| | 5.10 | Service brake | | | Electromagnetic |
| Electric motor | 6.1 | Drive motor rating 6 km/h version | | kW | 1,0 |
| | 6.2 | Lift motor rating at S3 10% | | kW | 1,0 |
| | 6.4 | Battery voltage/nominal capacity K _s | | V/Ah | 24/50, 105, 150 |
| | 6.5 | Battery weight | | kg | 6.4, 16.0, 21.5 |
| | 6.6 | Energy consumption acc. to EN16796:2016 | | kWh/h | 0,27 |
| | Others | 8.1 | Type of drive control | | |
| 8.4 | | Sound level at the driver's ear according to EN 12 053 | | dB (A) | 59 |

Data is based on standard configurations.

Truck performance and dimensions are nominal and subject to tolerances.

Toyota Material Handling Manufacturing Sweden AB products and specifications are subject to change without notice.



Truck features:

- BT Castorlink System
- Click-2-creep
- Fingertip controls
- Temporary speed reduction - turtle button (option)
- Optimised Corner Control
- Electronic braking system
- Electronic speed control
- Operator safety
- Automatic switch-off
- Programmable performance
- Easy access for maintenance
- Smart truck and Toyota I_Site: truck fleet management system
- Electrical outlet
- Built in charger (option)
- Oil for low temperatures (option)
- Food grade oil (option)

