

# Order picking truck 2.5 ton

## BT optio

*L-series*

OSE250/P

*t-mote remote drive*



# Order picking truck

Truck specifications					OSE250 t-mote	OSE250P t-mote
Identification	1.1	Manufacturer			Toyota	Toyota
	1.2	Model			OSE250 t-mote	OSE250P t-mote
	1.3	Drive			Electric	Electric
	1.4	Operator type			Stand on	Stand on
	1.5	Load capacity/rated load	Q	kg	2500	2500
	1.6	Load centre	c	mm	1200	1200
	1.8	Load distance, back of fork to bogie wheel centre, raised/lowered support arms	x	mm	1776/1866	1776/1866
	1.9	Wheelbase, raised/lowered support arms	y	mm	2884/2970	2884/2970
	Weight	2.1	Service weight without battery, short/long chassis		kg	1201/1225
2.2		Axle load, with load, drive/castor/fork wheels short chassis long chassis		kg	780/836/943	780/836/943
				kg	894/800/2243	894/800/2243
2.3		Axle load, without load, drive/castor/fork wheels short chassis long chassis		kg	480/270/250	480/270/250
				kg	500/300/270	500/300/270
Wheels		3.1	Drive/castor/fork wheels			Vulkollan
	3.2	Wheel size, front	Ø x width	mm	250x105	250x105
	3.3	Wheel size, rear	Ø x width	mm	85x75	85x75
	3.4	Additional wheels (dimensions)	Ø x width	mm	150x75	150x75
	3.5	Wheels, number front/rear ( x = driven wheels)		mm	1x+1/4	1x+1/4
Dimensions	4.2.1	Overall height	$h_{15}$	mm	1300	1300/2260
	4.4	Lift Lift height	$h_3$	mm	150	150
			$h_{23}$	mm	235	235
	4.8	Stand height, min./max.	$h_7$	mm	138	138 / 980
	4.15	Height, fork lowered	$h_{13}$	mm	85	85
	4.19	Overall length, short/long chassis	$l_1$	mm	3764/3850	3764/3850
	4.20	Length to face of forks, short/long chassis	$l_2$	mm	1414/1500	1414/1500
	4.21	Overall width	$b_1$	mm	790	790
	4.22	Fork dimensions	s/e/l	mm	50/180/2350	50/180/2350
	4.25	Width over forks	$b_5$	mm	450 – 685	450 – 685
	4.31	Ground clearance	$m_1$	mm	40	40
	4.34	Aisle width for pallets 2x(800x1200) lengthways	$A_{st}$	mm	4132/4218	4132/4218
	4.35	Turning radius, short/long chassis	$W_a$	mm	3191/3277	3191/3277
4.44	Clear width driver compartment entrance	$l_{24}$	mm	450	450	
Performance data	5.1	Travel speed, with/without load		km/h	8,0/12,0	8,0/12,0
	5.1.1	Travel speed with remote drive		km/h	4	4
	5.2	Lift speed, with/without load		m/s	0,07/0,09	0,07/0,09
	5.3	Lowering speed, with/without load		m/s	0,06/0,06	0,06/0,06
	5.8	Max. gradeability, with/without load <sup>1)</sup>		%	8/13	8/13
	5.10	Service brake			Electromagnetic	Electromagnetic
Electric motor	6.1	Drive motor rating S2 60 min		kW	2,8	2,8
	6.2	Lift motor rating S3 7%		kW	2,0	2,0
	6.4	Battery voltage, nominal capacity $K_s$		V/Ah	24/310 – 620	24/310 – 620
	6.5	Battery weight, min./max.		kg	239/501	239/501
	6.6	Energy consumption acc to VDI cycle		kWh/h	0,61	0,61
	Other	8.1	Type of drive control			Powerdrive
8.4		Sound level at the driver's ear according to DIN 12 053		dB(A)	63	63

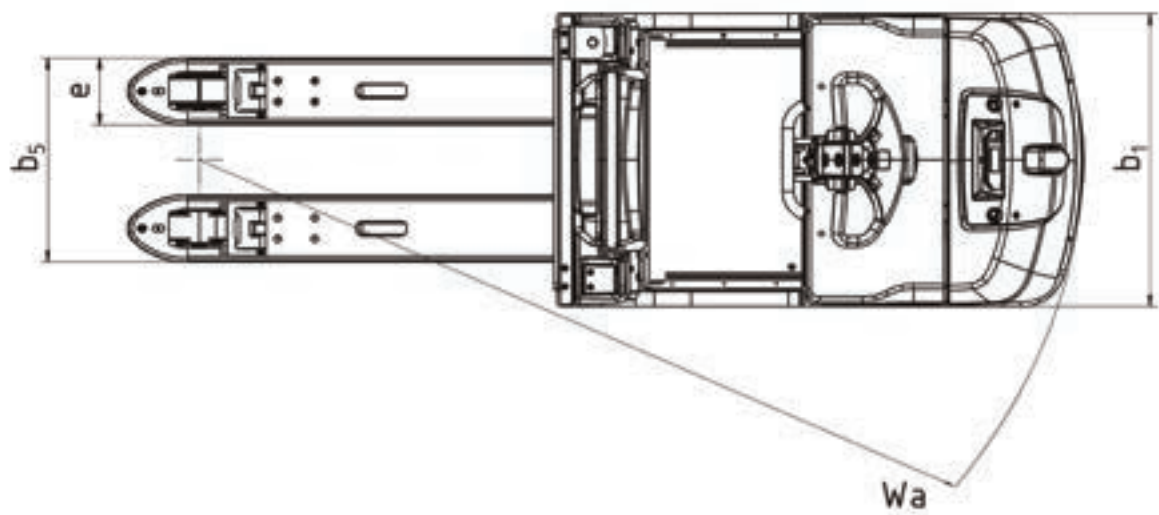
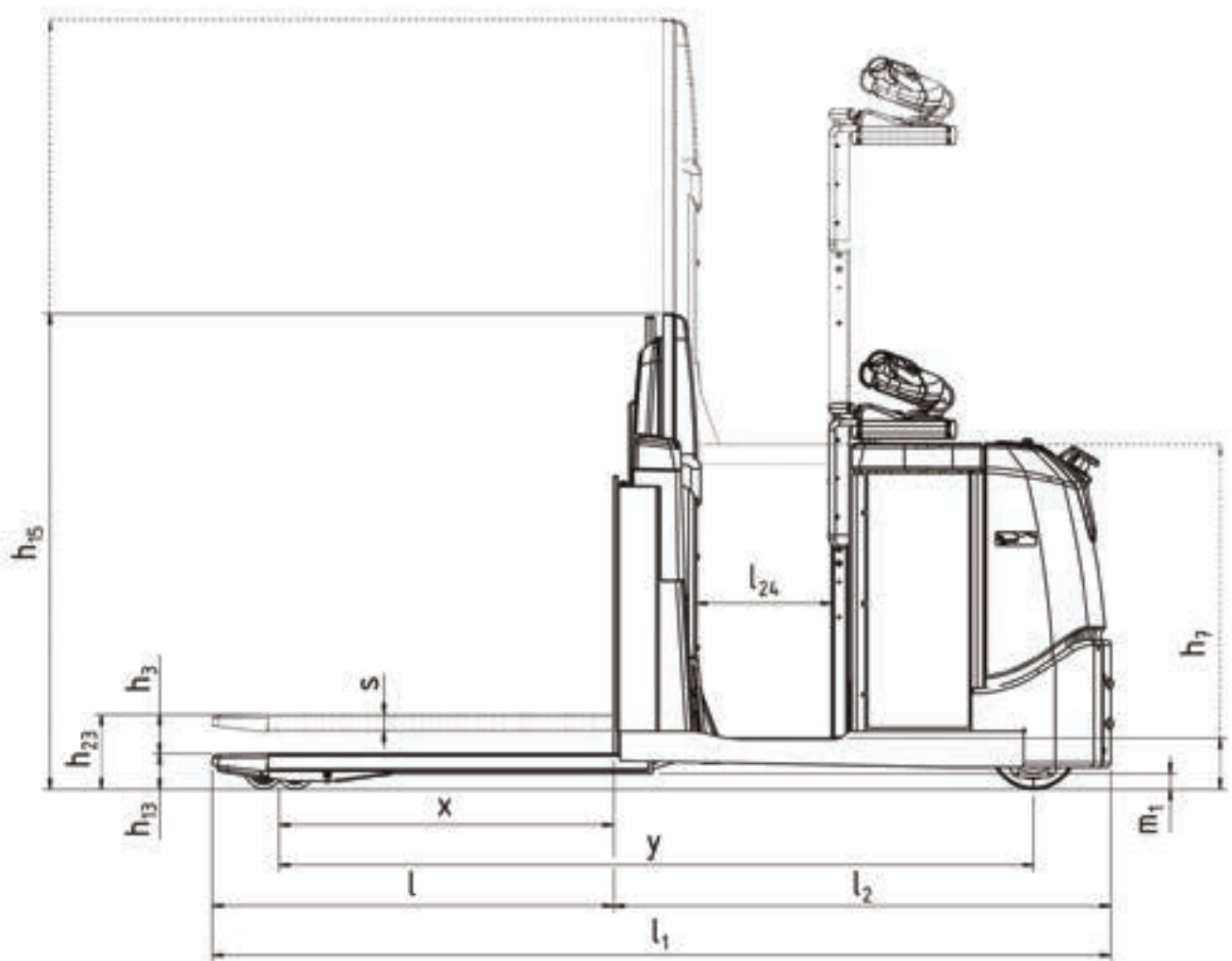
1) Measured according to company standard.

All data are based on table configuration. Other configurations may give other values.

Truck performance and dimensions are nominal and subject to tolerances.

Toyota Material Handling Manufacturing Sweden AB products and specifications are subject to change without notice.

# Dimensional drawings



---

## Truck features:

- High performance models
- Low step-in
- Optimized Truck Performance - a collection of features that will guarantee optimum performance & safety at all times
- T-mote, hands-free remote drive feature (incl. scanner, indication lights, information display, & remote control to operate the truck remotely). The t-mote system features adjustable proximity to racking, minor travel path correction and automatic and manual alignment left/right when inside the aisle
- E-man steering concept – easy and ergonomic access to all vital functions via the operation handle
- Adjustable E-man handle (option)

