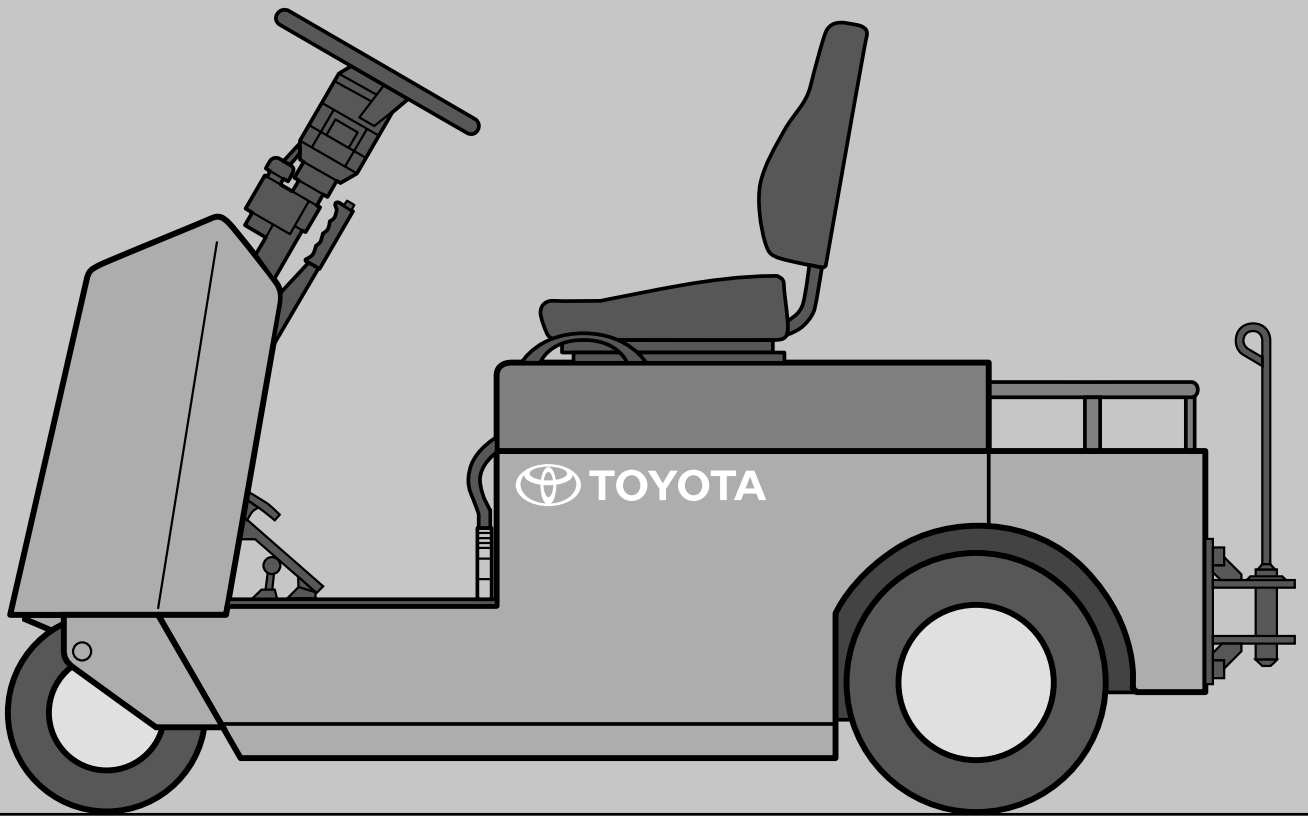


# ELECTRIC POWERED TOWING TRACTOR CBT/CBTY Series



## MAIN VEHICLE SPECIFICATIONS

Manufacturer			TOYOTA	TOYOTA	TOYOTA	
Model			CBT4	CBT6	CBTY4	
Power Type			Battery	Battery	Battery	
Operator Position			Rider Seated	Rider Seated	Stand on	
Tire Type		Front/Rear	Pneumatic	Pneumatic	Pneumatic	
Wheels (x = driven)		Front/Rear	2/2x	2/2x	2/2x	
Maximum Drawbar Pull		3-Minute Ratings	N (kg)	3920 (400)	4410 (450)	
Rated Drawbar Pull (Towing Capacity)		60-Minute Ratings	N (kg)	980 (100)	1470 (150)	
Towed Weight		60-Minute Ratings	kg	4000	6000	
Travel Speeds		No Load	km/h	13.5	18	
		w/ Load	km/h	9 w/2 ton	13 w/3 ton	
Gradeability *		No Load	% (tanθ)	36	32	
Overall Length		w/ Hitch	mm	2020	2020	
		w/o Hitch	mm	1880	1880	
Front Overhang		mm	160	160	235	
Rear Overhang		mm	360	360	240	
Overall Width		mm	965	965	965	
Overall Height		mm	1285	1285	1185	
Turning Radius (Outside)		mm	1775	1775	1600	
Hitch Length		mm	140	140	140	
Height of Hitch		mm	305	305	305	
Wheelbase		mm	1360	1360	1140	
Tread		Front	mm	260	260	
		Rear	mm	805	805	
Underclearance		Center of Wheelbase	mm	80	80	
Floor Height		mm	330	330	200	
Total Weight		w/ Battery	kg	980	1080	
		Without Battery	kg	540	585	
Weight Distribution (With STD Battery)		Front	kg	330	365	
		Rear	kg	650	715	
Tires		Number	Front/Rear	2/2	2/2	
		Size		Front	3.50-5-6PR (I)	3.50-5-6PR (I)
				Rear	4.00-8-6PR (I)	4.00-8-6PR (I)
Brake		Service (Foot)		Hydraulic	Hydraulic	
		Parking		Hand	Hand	
Battery		Voltage/Capacity (5-Hour Ratings)	STD	V/AH	48/210	
		Weight (STD Capacity Type)	kg		440	
Electric Motor		Drive	kW	2.6	4.9	
Control Type		Drive		Transistor chopper	Transistor chopper	

NOTE: \* Computed values.

## TOWED WEIGHT

Unit: Ton

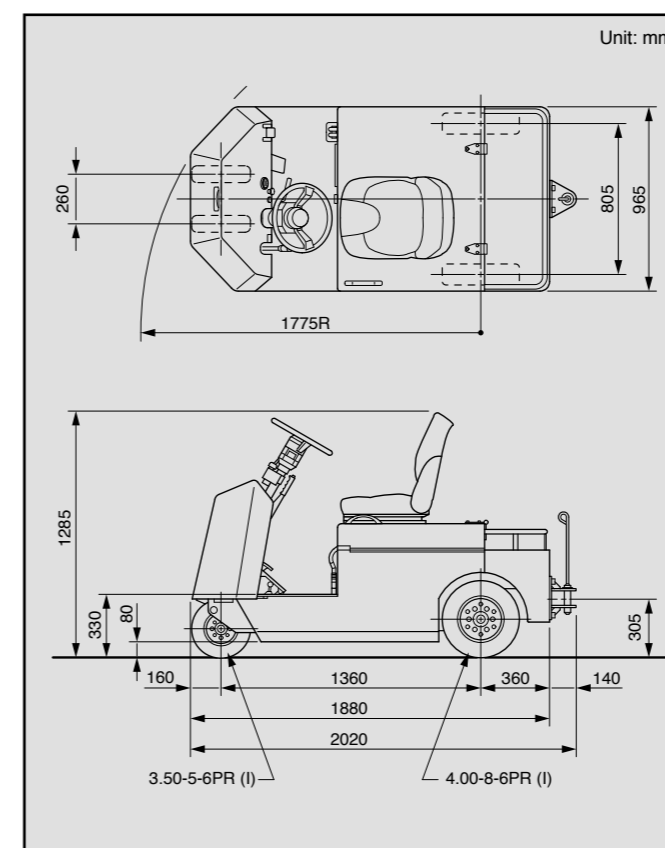
Model	Start on Grade					
	3-Minute Rating			60-Minute Rating		
	CBT4	CBT6	CBTY4	CBT4	CBT6	CBTY4
Surface Condition (Dry Even Concrete)						
Level Road	4.0 <7>	6.0 <7>	4.0 <7>	4.0 <7>	6.0 <7>	4.0 <7>
Grade (Degrees)	1°	3.4 <4>	3.8 <4>	3.4 <4>	1.9 <7>	3.0 <7>
	2°	2.7 <4>	3.0 <4>	2.7 <4>	1.0 <7>	1.8 <7>
	3°	2.2 <4>	2.4 <4>	2.2 <4>	0.5 <7>	1.1 <7>
	4°	1.7 <4>	2.0 <4>	1.7 <4>	0.2 <7>	0.6 <7>

NOTE: < > indicates travel speed in km/h.

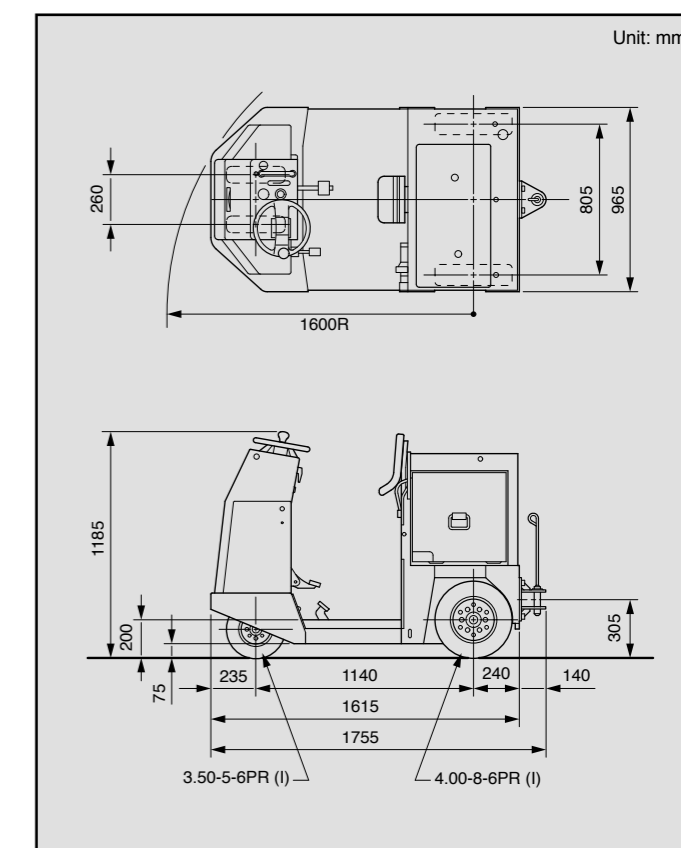
The data in this publication was determined based on our standard testing condition. Operating performance may vary depending on the actual specification and condition of the vehicle as well as the condition of the operating area.

## DIMENSIONAL DRAWINGS

### CBT4.6



### CBTY4



## STANDARD EQUIPMENT

### CBT4.6

- Operator Presence Sensing System (OPS)
- Headlights
- Battery capacity indicator
- Hour meter
- Electric horn
- Buck-up buzzer wiring
- Non-slip sheet
- Seat
- Rear drawbar
- Battery hood damper
- Double-action parking brake
- Pneumatic tire
- Truck bed

### CBTY4

- Operator Presence Sensing System (OPS)
- Headlights
- Battery capacity indicator
- Hour meter
- Electric horn
- Buck-up buzzer wiring
- Non-slip sheet
- Rear drawbar
- Foot-operated parking brake
- Pneumatic tire

Availability and specifications are determined regionally and are subject to change without notice.  
Please consult your Toyota representative for details.

---

All rights reserved by Toyota Industries Corporation.



TOYOTA MATERIAL HANDLING INTERNATIONAL

S.S.CBTY4/CBT4,6/E-1601/©/Printed in Japan/No.720660E0/300