

# 7CBT06 7CBTY06

## MAIN VEHICLE SPECIFICATIONS

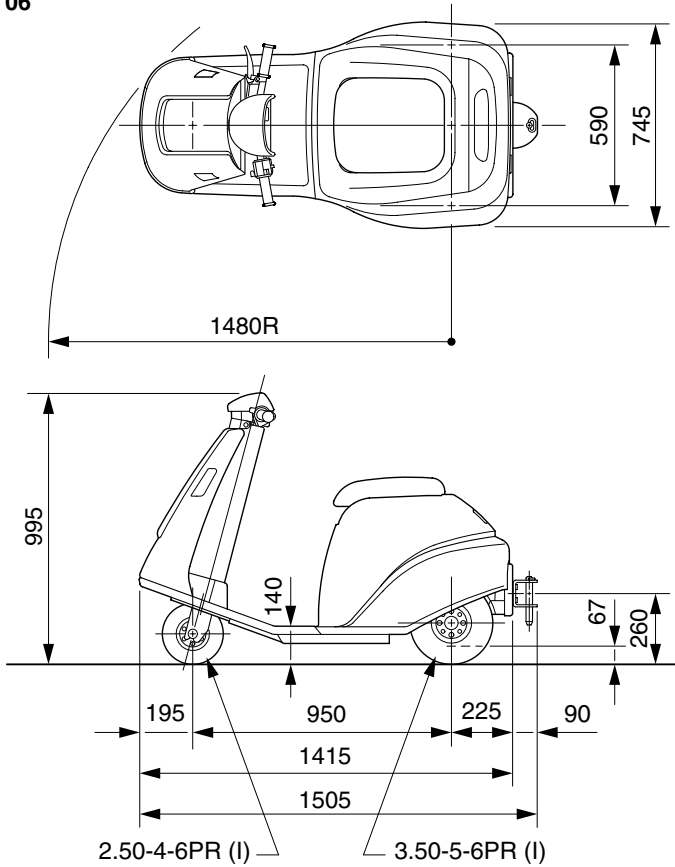
Manufacturer			TOYOTA	TOYOTA
Model			<b>7CBT06</b>	<b>7CBTY06</b>
Power Type			Battery	Battery
Operator Position			Sit-down	Stand-up
Tire Type	Front/Rear		Pneumatic/Pneumatic	Pneumatic-shaped Cushion Tire/ Pneumatic
Wheels (x = driven)	Front/Rear		1/2x	1/2x
Maximum Drawbar Pull	3-Minute Ratings	N <kg>	450 <45>	450 <45>
Rated Drawbar Pull (Towing Capacity)	60-Minute Ratings	N <kg>	150 <15>	150 <15>
Towed Weight	60-Minute Ratings	kg	600	600
Travel Speeds	No Load	km/h	8.5	8.5
	w/ Load	km/h	7.5	7.5
Gradeability *	3-Minute Ratings	No Load	% (tanθ)	17
Overall Length	w/ Hitch	mm	1460	1505
	w/o Hitch	mm	1370	1415
Front Overhang		mm	195	240
Rear Overhang		mm	225	225
Hitch Length		mm	90	90
Overall Width		mm	745	745
Overall Height		mm	995	1195
Turning Radius (Outside)		mm	1480	1510
Height of Hitch		mm	260	260
Wheelbase		mm	950	950
Tread	Front	mm	—	—
	Rear	mm	590	590
Underclearance	Center of Wheelbase	mm	65	65
Floor Height		mm	140	135
Total Weight	w/ Battery	kg	200	220
	Without Battery	kg	130	150
Weight Distribution (With STD Battery)	Front	kg	60	70
	Rear	kg	140	150
Tires	Number	Front/Rear	1/2	1/2
	Size	Front	2.50-4-6PR (I)	3.00-5
		Rear	3.50-5-6PR (I)	3.50-5-6PR (I)
Brake	Service (Hand)		Mechanical	Mechanical
	Parking (Hand)		Mechanical	Mechanical
Battery	Voltage/Capacity (5-Hour Ratings)	STD	V/AH	24/100
	Weight (STD Capacity Type)		kg	70
Electric Motor	Drive	kW	DC 0.4	DC 0.4
Control Type	Drive		Field Effect Transistor Chopper	Field Effect Transistor Chopper

NOTE: \* Computed values.

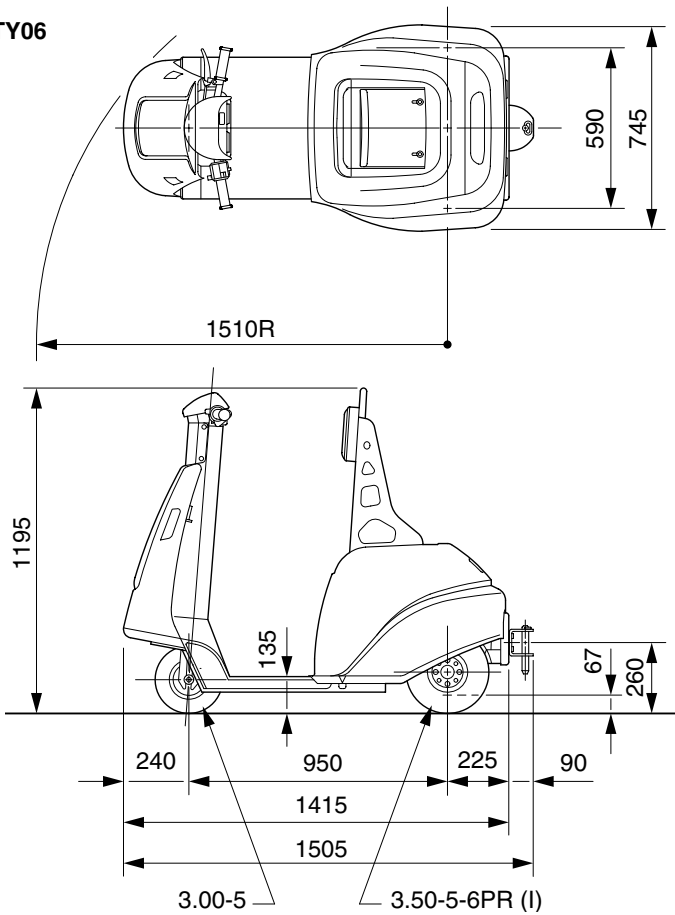
# DIMENSIONAL DRAWINGS

7CBT06

Unit: mm



## 7CBTY06



# 7CBT06 7CBTY06

INDEX: ○ Standard  
● Available

## STANDARD EQUIPMENT

### 7CBT06

● Operator Presence Sensing System (OPS) ● Key switch ● Headlights ● Turn signal lights ● Brake light ● Battery capacity indicator ● Electric horn ● Back-up buzzer ● Rear drawbar ● Seat (with seat switch) ● Floor mat ● Battery hood damper ● Travel DC control ● Pneumatic tire ● Lever type service brake ● Lever type hand parking brake ● Emergency unplug lever ● Storage box ● Pencil holder

### 7CBTY06

● Operator Presence Sensing System (OPS) ● Key switch ● Headlights ● Turn signal lights ● Brake light ● Battery capacity indicator ● Electric horn ● Back-up buzzer ● Rear drawbar ● Backrest with urethane cushion ● Floor mat ● Battery hood damper ● Travel DC control ● Front: Pneumatic-shaped cushion tire ● Rear: Pneumatic tire ● Lever type service brake ● Lever type hand parking brake ● Emergency unplug lever ● Storage box ● Pencil holder

## OPTIONS AVAILABILITY CHART

Item	Model Code	7CBT6	7CBTY6
<b>BATTERY AND CONTROLLER</b>			
Battery Charger 200V/3P (Off-truck Type)	C30G	●	●
Battery Charger 100V/3P (Off-truck Type)	C30L	●	●
Battery 24V (Wet Cell)	★ D00A	●	●
Spare Battery (Wet Cell) w/ Battery Carrier 1)	★ D20B	●	●
Battery Tray	★ D80E	●	●
Battery Carrier	G09A	●	●
<b>LIGHT AND INDICATORS</b>			
Rear-view Mirror, Right and Left Sides	J10B	●	●
Back-up Light	J23A	●	●
Forward Chime	K22A	●	●
Hour Meter	L11A	●	●
<b>BODY</b>			
Automatic Parking Brake	E31B	●	●
Front Bumper	K28C	●	●
Name Plate (Chinese)	S31C	●	●
<b>WHEEL AND TIRE</b>			
Pneumatic-shaped Cushion Tire	F01R	●	●
White Pneumatic-shaped Cushion Tire	F01S	●	●
<b>OTHER</b>			
China Certification Spec. 2)	A10R	●	●

NOTE:

1) Must specify D00A.

2) Must specify S31C.

★ Please see the "Matching Options".

✱ Please see the chart below for the item.

## MATCHING OPTIONS

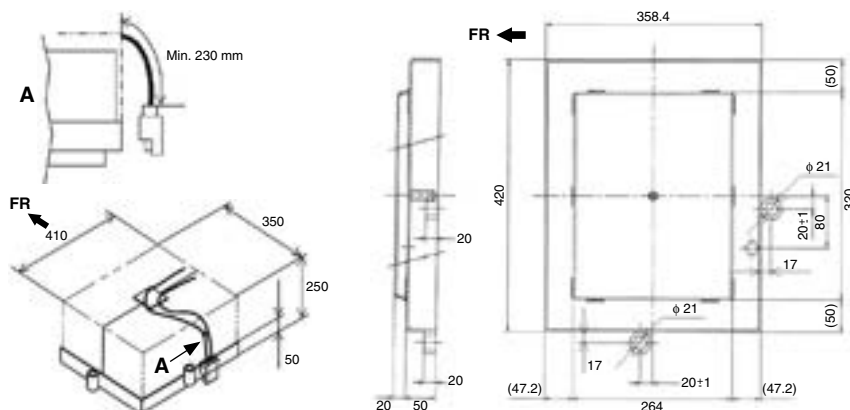
(Column figures refer to matching with to the items listed at left)

Item	Code	1	2	3
Battery 24V (Wet Cell)	D00A	1		
Spare Battery (Wet Cell) w/ Battery Carrier	D20B	2		
Battery Tray	D80E	3	X	X

INDEX: X Not available.

NOTE: For other matching please consult us.

## Dimensions of Battery Tray



Unit: mm

### Dimensions of Battery Compartment

Model	7CBT06 7CBTY06	
Width	mm	410
Length	mm	350
Height	mm	250